



### Description

*HCS DataRack series includes a wide range of high quality racks, cabinets and enclosures, specially designed for structured premise cabling in local area networks (LANs), including distribution and equipment, cross connect cabinets and racks, splice boxes, climate control and many more components for both copper and fiber optic cabling systems.*

*HCS DataRack 27 600x600 Wall Mount Cabinets are suitable mainly for office environments & equipment rooms, having an attractive design combined with a long-lasting, solid & stable construction, guaranteed by the HCS DataRack Logo & Trademark.*

### Applications

The special design of HCS DataRack 27 Wall Mount Cabinets allows the use of a large variety and types of accessories, including 19" panels, hubs and active equipment, fixed and/or sliding shelves, fan units, power strips, pulleys, grounding and potential equalization bus bars, lighting units, stacking kits, floor fixing kits, cable management panels, and many other 19" devices and accessories.

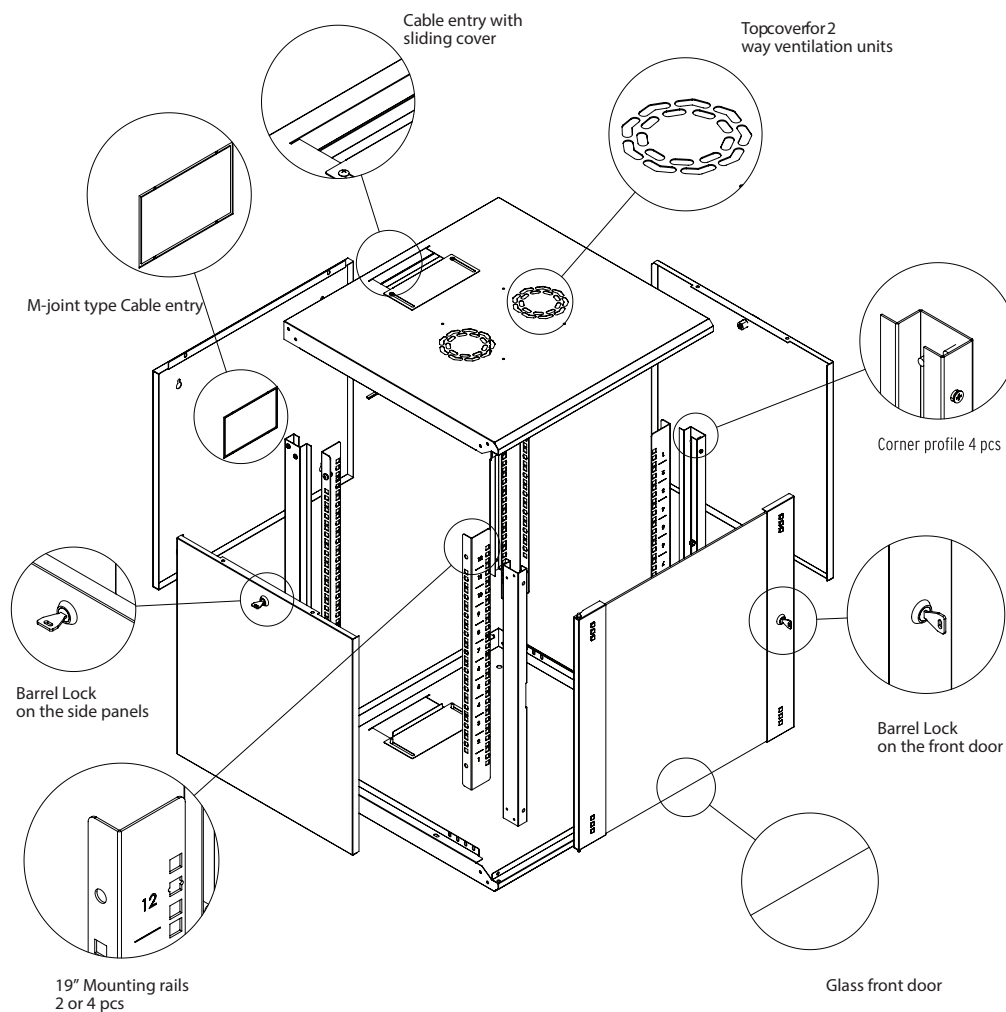
### Qualifications and Approvals

HCS DataLine Wall Mount Cabinets are supported by HCS DoubleSafe™ QA Program.



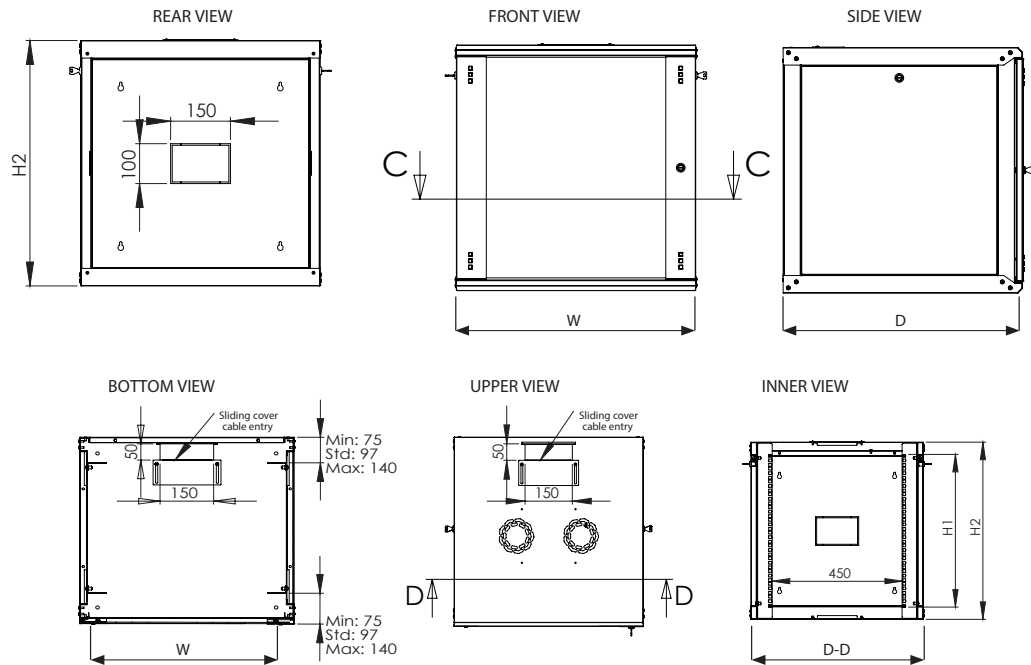
### Benefits & Features

- Solid and stable construction- providing support for large loads.
- Aesthetic & attractive design - for use in open office environments.
- Flat packed design option- providing minimal storage space and saving transportation costs.
- Large cable spaces - enabling easy and comfortable installation of many cables.
- Sophisticated cable channeling - enabling concealed cords routing.
- Clear u-marking inside the cabinets - enabling easy & simple profile installation planning.
- Removable side, front and rear doors - allows using cabinet as a relay rack.
- Adjustable profile positioning inside the cabinets - enabling efficient installation of different size devices.
- Vented top cover- allows passive ventilation.
- PVC stoppers - avoid metal surface noise while side panels are mounted.
- Pulleys and levelling fit mountable - enabling installation as free-standing cabinets.



### GENERAL PROPERTIES

|                          |  |
|--------------------------|--|
| Material of Construction | Sheet & Galvanized steel. 1.0/1.2/1.5mm thickness.   |
| Paint and Color          | Special steel finish with electrostatic powder coat, RAL 7035 grey. Other colors available upon request.                                       |
| Front Door               | Smoked, secured and tempered glass, 4 mm. thick, reinforced with metal frame. Interchangeable (Left&right). 180 degree opening for single use. |
| Side Panels              | Removable, complete metal. Single point cylindrical locking mechanism.   |
| Rear Panel               | Removable, complete metal. Mounting plate supported with welding. 100x150 mm M-joint cable entry hole.   |
| Top Chasis               | Monoblock, welded. Fan tray mountable. 50x150 mm sliding cable entry hole.   |
| Bottom Chasis            | Monoblock, welded. 50x150 mm sliding cable entry hole.   |
| 19" profiles             | Adjustable, 4 units (2 front, 2 rear). U-marked.   |
| Vertical Cable Organizer | None.  |
| Front Door Lock          | Single point cylindrical locking mechanism.  |
| Levelling fit & Pulleys  | Optional.  |
| Loading Capacity         | 100 kg max.  |



**ORDERING INFORMARTION**

| HCS P/N   | Descriptions               | Internal Height mm | Dimensions |          |           | Net Weight Kg | Notes |
|-----------|----------------------------|--------------------|------------|----------|-----------|---------------|-------|
|           |                            |                    | Width mm   | Depth mm | Height mm |               |       |
| C27-00466 | 4U 19" Wall Mount Cabinet  | 177,8              | 600        | 600      | 259,75    |               |       |
| C27-00766 | 7U 19" Wall Mount Cabinet  | 311,15             | 600        | 600      | 393,1     | 20            |       |
| C27-00966 | 9U 19" Wall Mount Cabinet  | 400,05             | 600        | 600      | 482       | 22            |       |
| C27-01266 | 12U 19" Wall Mount Cabinet | 533,4              | 600        | 600      | 615,35    | 26            |       |
| C27-01666 | 16U 19" Wall Mount Cabinet | 711,2              | 600        | 600      | 793,15    | 31            |       |
| C27-02066 | 20U 19" Wall Mount Cabinet | 889                | 600        | 600      | 970,95    | 37            |       |